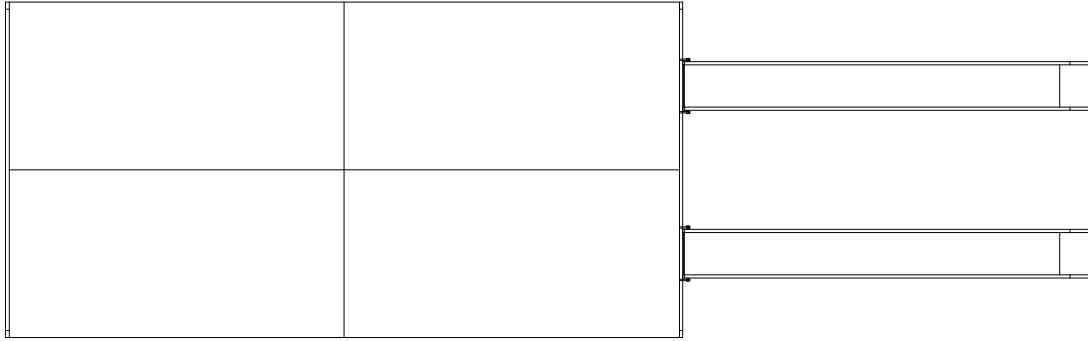
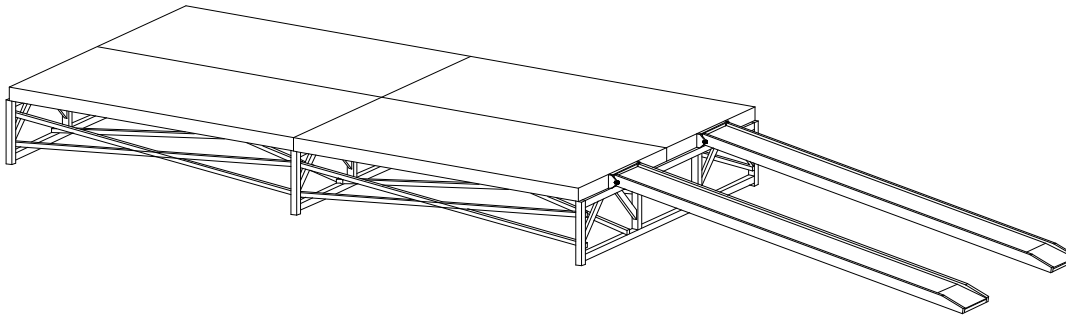


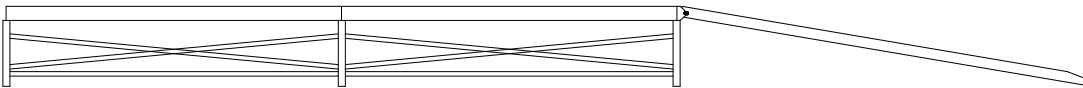
Note: Height of ramp is adjustable with angle attachment.



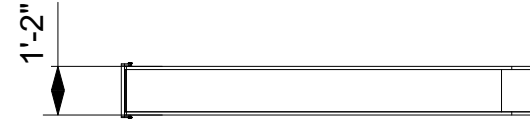
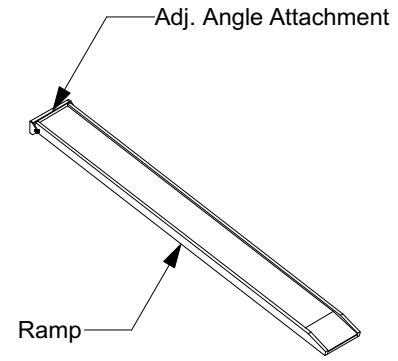
Top Plan



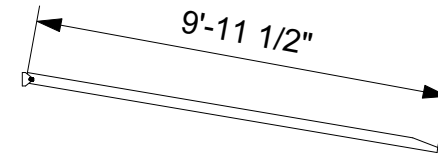
Iso View



Front View



Plan View



Front View



Side View

date: 11/24/15	rev: 1.00
scale: NTS	sheet #:
drawing by:	

project name: Stock Gear	file name:
project name: Car Ramp	file name:
<small>The drawing is the property of Accurate Staging and can not be duplicated, modified or used for any other purposes without written permission from Accurate Staging. Use of this drawing for bidding is hereby prohibited. Verify all dimensions, specifications and conditions before using this drawing for construction.</small>	
www accuratestaging.com	

