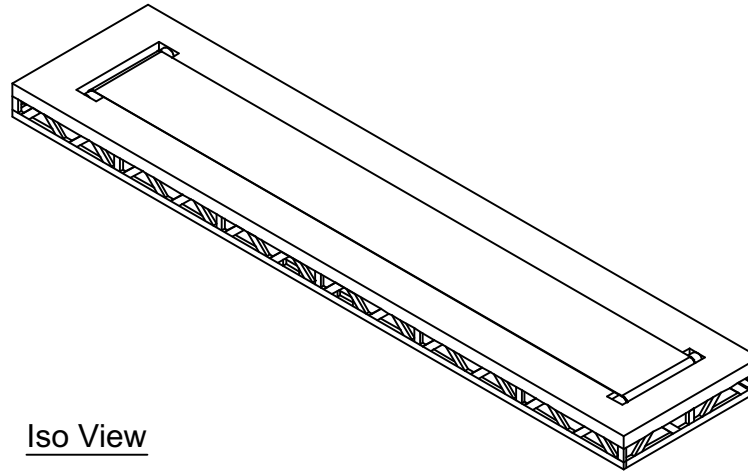
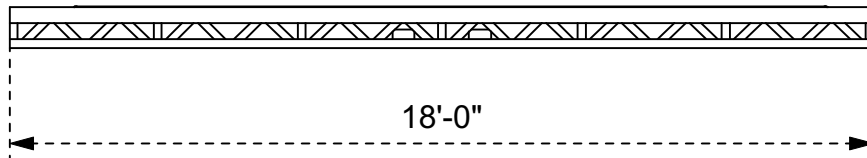


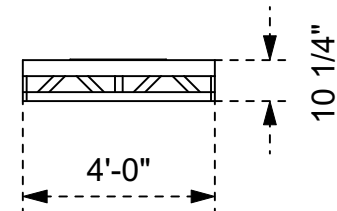
Top Plan



Iso View



Front View



Right View

date: 11/24/15	rev: 1.00
scale: NTS	sheet #:
drawing by:	

drawing title name: Accurate Staging	project name: Stock Gear
modified by:	file name: Conveyor Belt
<small>This drawing is the property of Accurate Staging and can not be duplicated, modified or used for any other purposes without written permission from Accurate Staging. Use of this drawing for bidding is hereby prohibited. Verify all dimensions, specifications and conditions before using this drawing for construction.</small>	
www accuratestaging.com	

