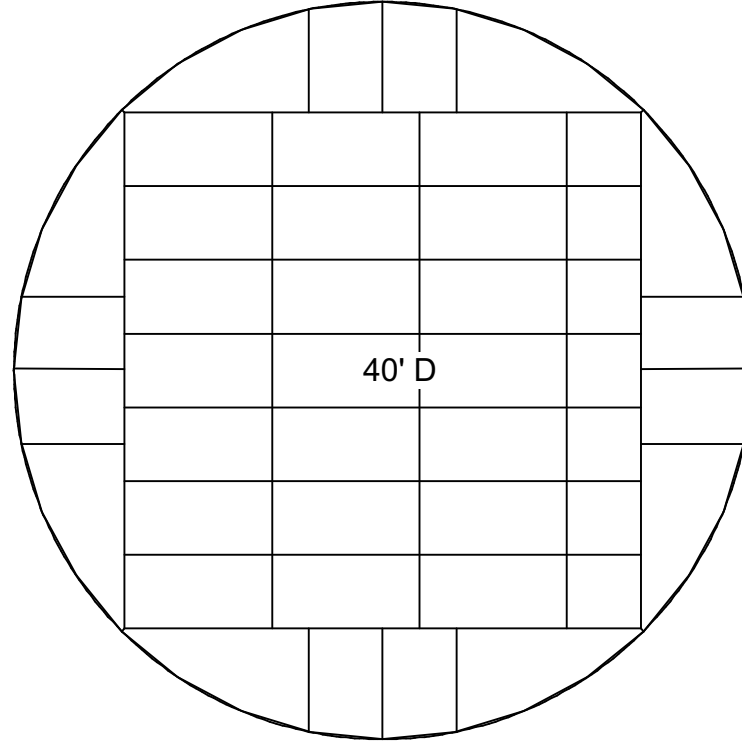
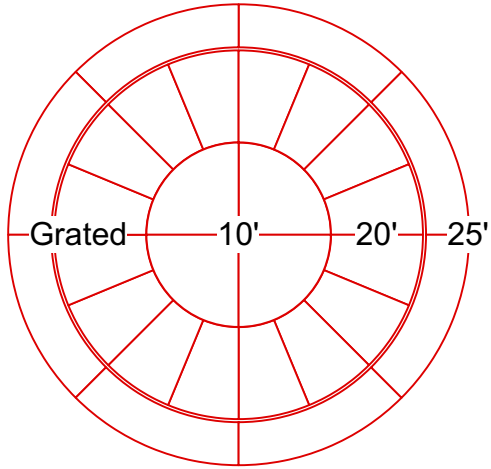
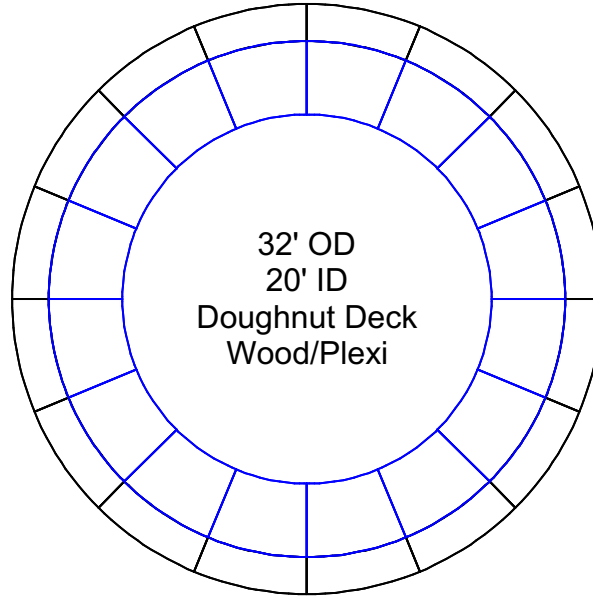
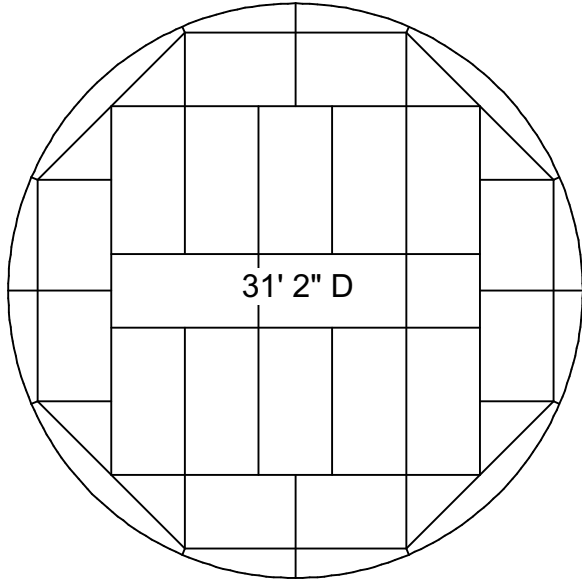


Note: Also Available In Halves & Quarters



date: 11/24/15	rev: 1.00
scale: NTS	sheet#:
drawing by:	

drawing title name: Accurate Staging	project name: Stock Gear
modified by:	file name: Rounds 31'2"D-40'D
This drawing is the property of Accurate Staging and can not be duplicated, modified or used for any other purposes without written permission from Accurate Staging. Use of this drawing for staging is strictly prohibited. Verify all dimensions, specifications and conditions before using this drawing for construction.	
www accuratestaging.com	

