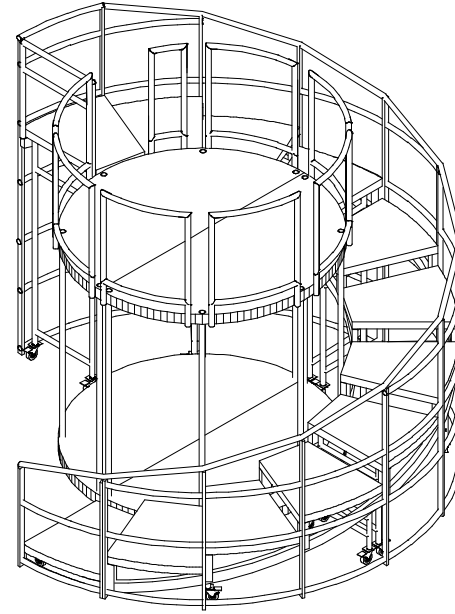
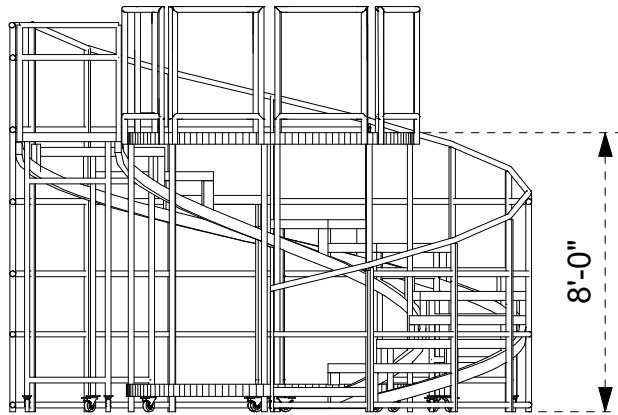


Top Plan

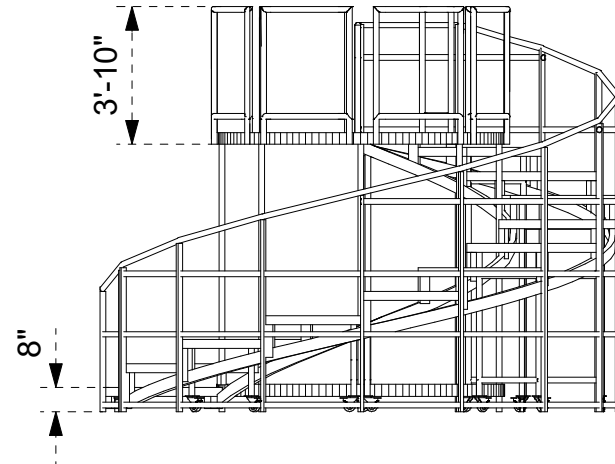


Iso View



Front View

8" Rise Steps



Right View

date: 11/24/15 rev: 1.00

scale: NTS

sheet #:

drawing by:

project name: Stock Gear
file name: Spiral Staircase 8'D Riser

drawing title name: Accurate Staging

modified by:

This drawing is the property of Accurate Staging and can not be duplicated, modified or used for any other purposes without written permission from Accurate Staging. Use of this drawing for bidding or starting is hereby prohibited. Verify all dimensions, specifications and conditions before using this drawing for construction.

www accuratestaging.com

