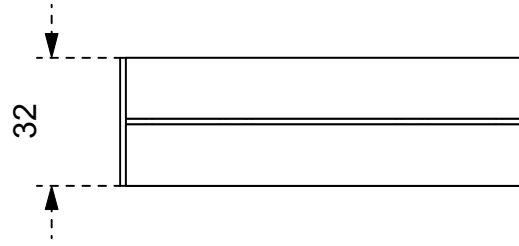
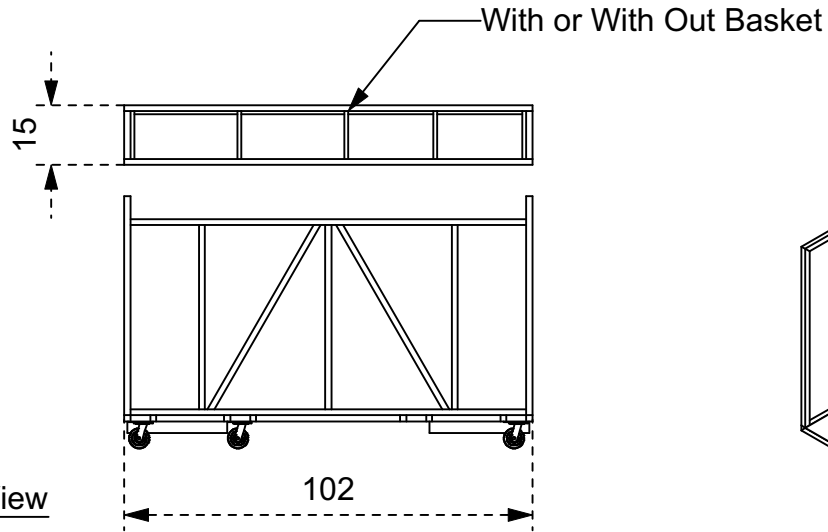


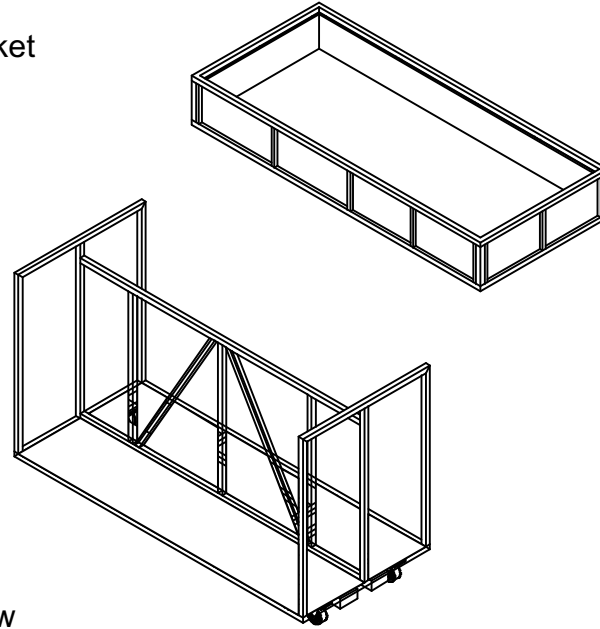
Top Plan



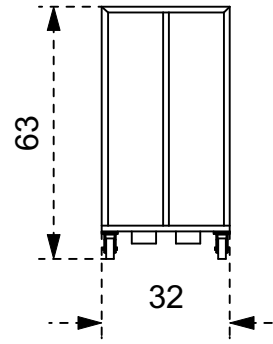
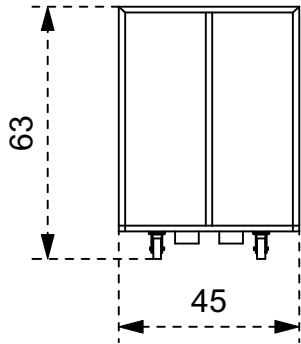
Front View



Iso View



Right View



date: 11/24/15	rev: 1.00
scale: NTS	sheet #:
drawing by:	

drawing title name: Accurate Staging	project name: Stock Gear
modified by:	file name: Standard Set Carts
<small>This drawing is the property of Accurate Staging and can not be duplicated, modified or used for any other purposes without written permission from Accurate Staging. Use of this drawing for anything is hereby prohibited. Verify all dimensions, specifications and conditions before using this drawing for construction.</small>	
www accuratestaging.com	

